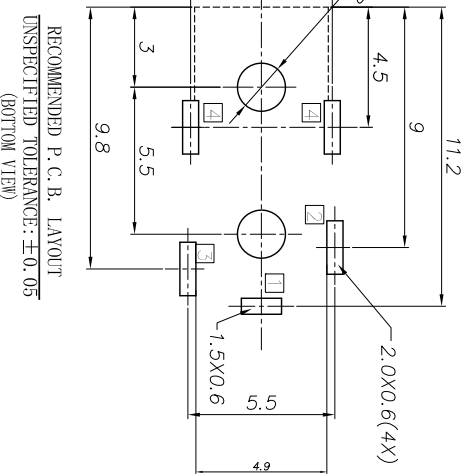
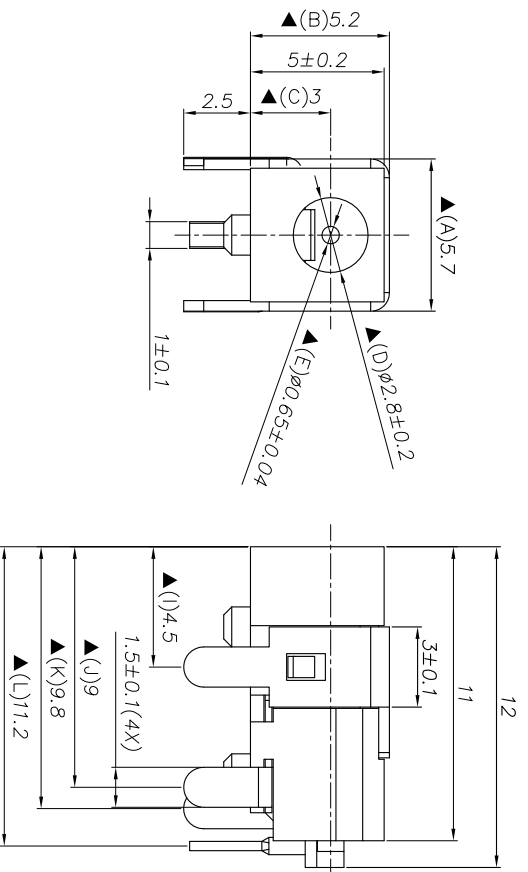
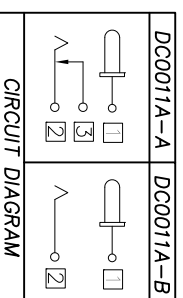
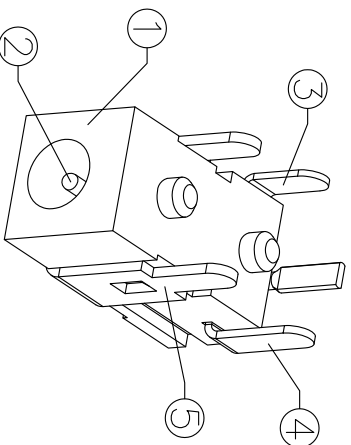
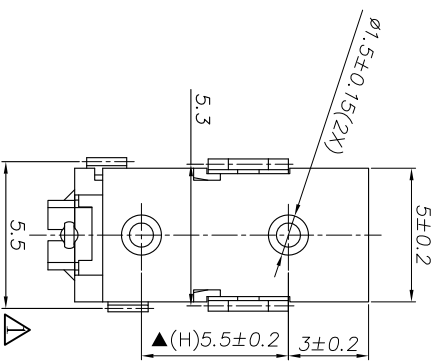


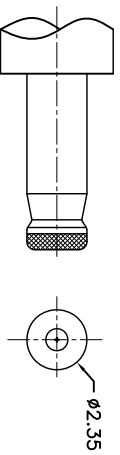
REV. LTR.	DESCRIPTION	SIGN	DATE
	Update drawing	Shang,cb.	2011.05.16.
▲	Update drawing	Matt	2012.06.05



RECOMMENDED P. C. B. LAYOUT
UNSPECIFIED TOLERANCE: ±0.05
(BOTTOM VIEW)



□ : TERMINAL NO.



DC MATE PLUG

- Specification:
1. Rating : DC 30V 1A.
 2. Contact resistance : $\leq 30m\Omega$.
After test: $\leq 50m\Omega$.
 3. Insulation resistance : $\geq 100M\Omega$ (500VDC).
After test: $\geq 50M\Omega$.
 4. Withstanding voltage : 500VAC.
 5. Insertion and extraction force : 3N~30N.
 6. Life test : 5000cycles min.
 7. Operation temperature range: -20°C ~ 70°C.
 8. Preservative temperature range: -40°C ~ 85°C.
 9. Sign "▲" is importance dimension .

NO.	DESCRIPTION	QTY	MATERIAL	PART NO.	REMARK
⑤	Shell	1	Brass t0.4	DC0011A-W1(4A-378)	Silver plating
④	Shunt terminal	1	Brass t0.3	DC0011A-03(WP-376)	Silver plating
③	Tip spring	1	Beryllium bronze t0.25	DC0011A-02(P-377)	Silver plating
②	Center pin	1	Bronze	DC0011A-01(YZ-379)	Silver plating
①	Housing	1	PBT,UL 94V-0	DC0011B-ST(ST-695)	Black

UNIT: MM	TYPE:	MODEL NO:	PAPER NO: A4	PAGE 1 OF 1
DC POWER JACK	DC POWER JACK	DC0011A-	TOLERANCE ±0.3	ANGLES ±2°
DESIGNER BY: Mott	2012.06.05		SCALE FULL	VER 4

CHECK BY:
APPROVED BY:
Mott 2012.06.05

承永實業有限公司
BLUE SOURCES ELECTRONICS CO.,LTD.